



### High-frequency transformer

#### Parameters/Dimensions: ETD39 Type 1

Information:

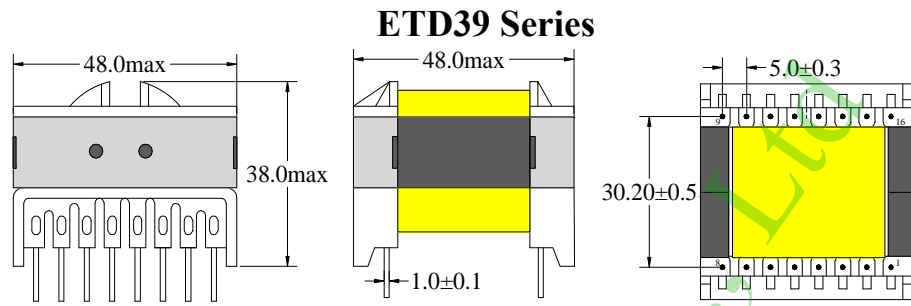
Shape:ETD39

1 Power:50W

2 Mounting Orientation:Horizontal

3 Size: 48 (W) \* 48(L) \* 38(H)

4 Effective Ae (mm2): 54..5



#### ETD39 Type 2

Information:

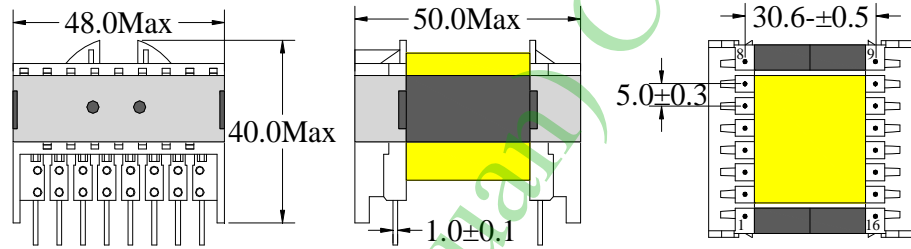
Shape:ETD39

1 Power:50W

2 Mounting Orientation:Horizontal

3 Size: 48 (W) \* 50(L) \* 40(H)

4 Effective Ae (mm2): 54..5



#### ETD39 Type 3

Information:

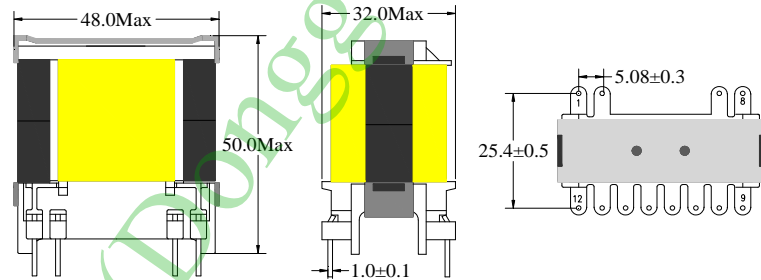
Shape:ETD39

1 Power:50W

2 Mounting Orientation:Vertical

3 Size: 48 (W) \* 32(L) \* 50(H)

4 Effective Ae (mm2): 54..5



#### ETD39 Type 4

Information:

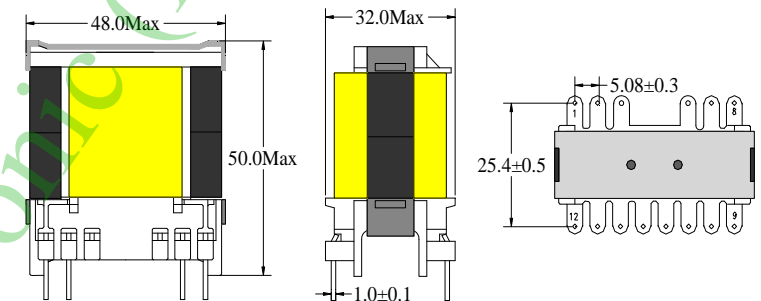
Shape:ETD39

1 Power:50W

2 Mounting Orientation:Vertical

3 Size: 48 (W) \* 32(L) \* 50(H)

4 Effective Ae (mm2): 54..5



#### ETD39 Type 5

Information:

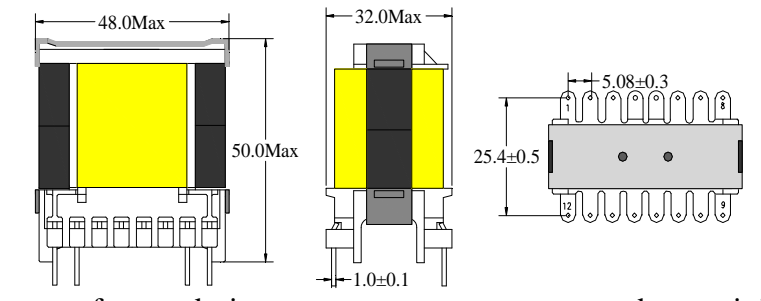
Shape:ETD39

1 Power:50W

2 Mounting Orientation:Vertical

3 Size: 48 (W) \* 32(L) \* 50(H)

4 Effective Ae (mm2): 54..5



#### Note:

Bobbin type listed in the traditional style, transformer design parameters to customer needs or to inject prevail.

#### ETD series high-frequency transformer features:

circular pillar, and to facilitate the winding wire winding area increases, the design of large and small leakage inductance of the power transformer. Other aspects such as assembly costs, the cost of safety, electromagnetic shielding, ease of standardization, etc. are excellent.

#### Uses:

switching power supply, transmission transformers, electronic ballasts. Widely used in home appliances, communications, lighting, medical equipment, office automation, military, OA equipment, electronic equipment, aerospace and other fields.